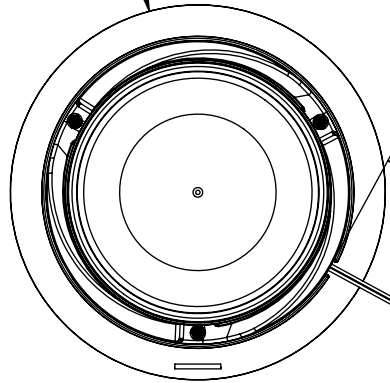
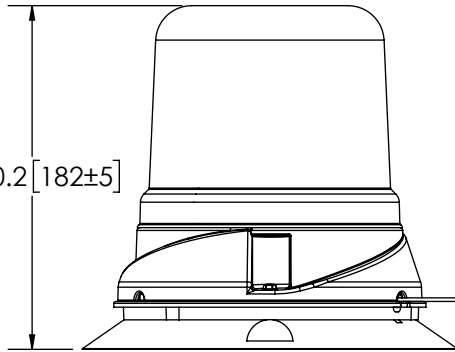


Ø7.8±0.2 [198±5]

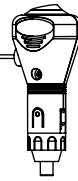


142.00±7.50 [3607±191]

7.2±0.2 [182±5]



15' [4572] CORD W/ SINGLE SWITCH LIGHTER ADAPTER



REVISION HISTORY

REV.	DESCRIPTION	DATE
C	REVISE PER P13027	2015-10-23
D	REVISE PER P13027	2017-09-08
E	REVISED PER EC6640	2023-03-28

SPECIFICATIONS

- CERTIFICATIONS: CE; ECE R10; SAE (SEE CHART) ; CA Title 13 (SEE CHART); Ⓢ; Reg 65 CertA1-E9-00.1873 (SEE CHART); IP6K6D/|P6K7D
 Note: Unique components, accessories, and hardware kits are not typically Included in the Product Certification Test Protocols. Unless otherwise Specified, the Product Certifications referred to herein are predicated upon the base product model configuration.
- FLASH MODE: SINGLE : 130 ± 5 FLASHES PER MINUTE
- VOLTAGE (NOMINAL): 12-24 VDC
- VOLTAGE (EXTREME): 9-32 VDC
- CURRENT (PEAK): 2.08A (@ 12 VDC NOMINAL)
- POWER (MAXIMUM): 26.6W (@ 12 VDC NOMINAL)
- TEMPERATURE RANGE: -22°F (-30°C) TO 122°F (50°C)
- CONNECTION: 2 CONDUCTOR CABLE W/LIGHTER ADAPTER
- MOUNTING: VACUUM MAGNET
- BASE MATERIAL: ALUMINUM
- LENS MATERIAL: POLYCARBONATE
- PRODUCT WEIGHT: 3.9 LBS (1.76 Kg)

FGS. PRODUCT CHART

FGS. NO.	COLOR	TITLE 13	J845 (JUN 2013)	ECE R65
7660A-VM	AMBER	CLASS B	CLASS 1	CLASS 1
7660B-VM	BLUE	CLASS B	CLASS 2	-
7660G-VM	GREEN	-	-	-
7660R-VM	RED	CLASS B	CLASS 1	CLASS 1

- NOTES:
 1. ROHS COMPLIANT
 2. DIMENSIONS IN INCHES[MILLIMETERS (FOR REFERENCE)]

PROPRIETARY AND CONFIDENTIAL INFORMATION

THIS DRAWING AND THE DESIGN AND OTHER INFORMATION DISCLOSED HEREIN ARE THE PROPERTY OF ELECTRONIC CONTROLS COMPANY AND/OR ITS ECCO SAFETY GROUP AFFILIATES ("ECCO") AND IS ISSUED IN CONFIDENCE TO RECIPIENT FOR ENGINEERING INFORMATION PURPOSES ONLY. THIS DRAWING AND THE DESIGN AND OTHER INFORMATION DISCLOSED HEREIN MAY NOT BE USED, COPIED, REPRODUCED OR OTHERWISE DISCLOSED IN PART OR IN WHOLE TO THIRD PARTIES OR USED FOR ANY OTHER PURPOSE WITHOUT PRIOR ECCO WRITTEN CONSENT. ECCO RESERVES ALL PATENT, COPYRIGHT, TRADEMARK AND OTHER PROPRIETARY RIGHTS TO THIS DOCUMENT, INCLUDING ALL DESIGN, MANUFACTURING, REPRODUCTION, USE AND SALES RIGHTS THERETO. THIS DRAWING IS SUBJECT TO RECALL BY ECCO AT ANY TIME, AND YOUR POSSESSION AND/OR USE CONSTITUTES ACCEPTANCE OF THESE TERMS. ©2008 ELECTRONIC CONTROLS COMPANY

SCALE 1:4		APPROVALS	DATE
CAD GENERATED DRAWING DO NOT MANUALLY UPDATE.		DRAWN BY ABD	2023-03-22
TOLERANCES ARE IN INCHES, AND MILLIMETERS TOLERANCES UNLESS OTHERWISE STATED ARE:		CHECKED BTK	2023-03-24
MILLIMETERS DECIMALS XX. ± 1.0mm XX.X ± 0.5mm	INCHES DECIMALS X.X ± 0.1 X.XX ± 0.04 X.XXX ± 0.02	MECH. ENG. JLA	2023-03-23
	ANGLES ± 0.5°	ELEC. ENG. SPO	2023-03-27
	FRACTIONS ± 1/64	TEST ENG. JRT	2023-03-27
THIRD ANGLE PROJECTION		SALES.	

ECCO® www.eccolink.com
 Americas (800) 635-5900 | Europe +44 (0)113 237 5340 | Asia Pacific +61 (0)3 63322444

LED HYBRID BEACON, 12-24VDC, VAC

CUSTOMER PART NO.
SEE CHART

SIZE: A DWG. NO. 7660X-VM REV. E
 Electronically Controlled Use Latest Copy SHEET 1 OF 1 Project: 08022 Date Created: 2008-10-14